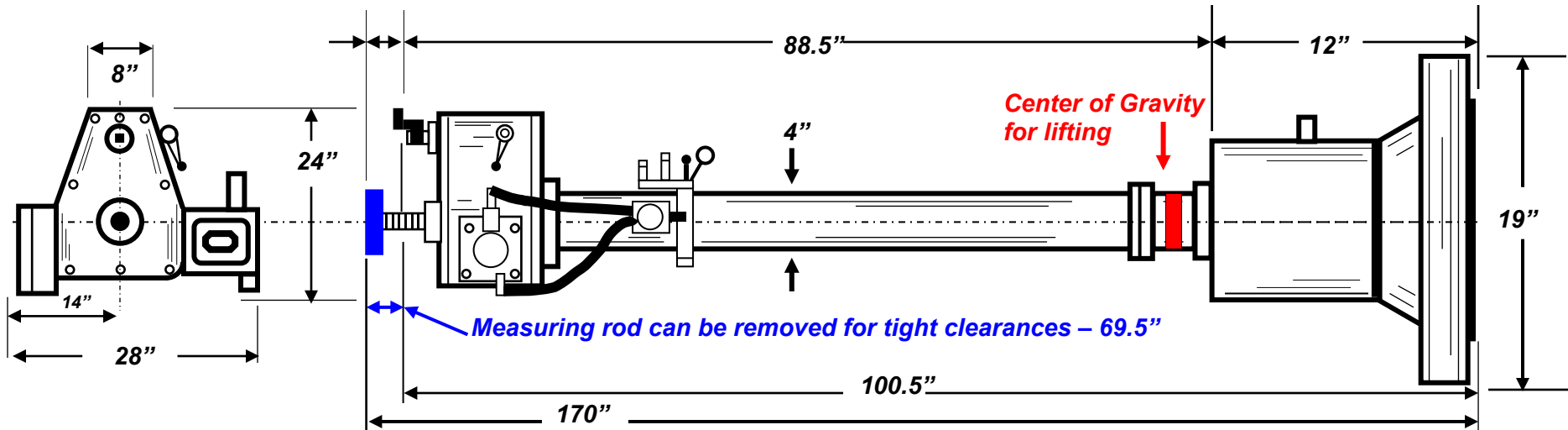


## RJ Stacey - MODEL 760 HOT TAPPING MACHINE

*Hot Tap Machine Ratings: 1,480 psig @ 100 degrees f / 700 psig @ 700 degrees f*



**MAXIMUM BORING BAR TRAVEL 66"**

**Base Machine estimated weight 455lb**

**Adaptor weights:**

1) 4"	150#	57lb	300#	65lb	600#	80lb
2) 6"	150#	70lb	300#	95lb	600#	145lb
3) 8"	150#	85lb	300#	105lb	600#	150lb
4) 10"	150#	115lb	300#	155lb	600#	205lb
5) 12"	150#	170lb	300#	215lb	600#	315lb

*Cutter and pilot combo weights range from 3 lb. to 105 lb.*

**Adaptor weights cont.**

6) 14"	150#	224lb	300#	283lb	600#	415lb
7) 16"	150#	295lb	300#	373lb	600#	547lb
8) 18"	150#	389lb	300#	492lb	600#	722lb
9) 20"	150#	513lb	300#	650lb	600#	953lb
10) 24"	150#	677lb	300#	858lb	600#	1,257lb