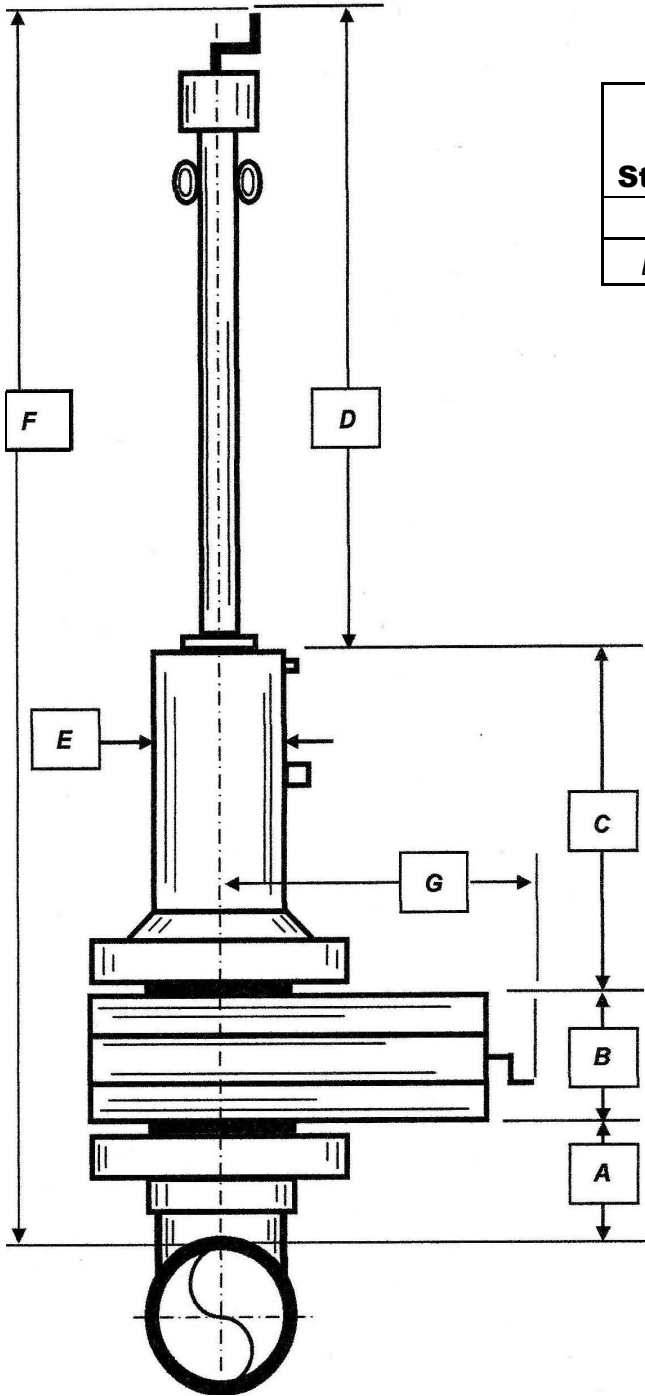


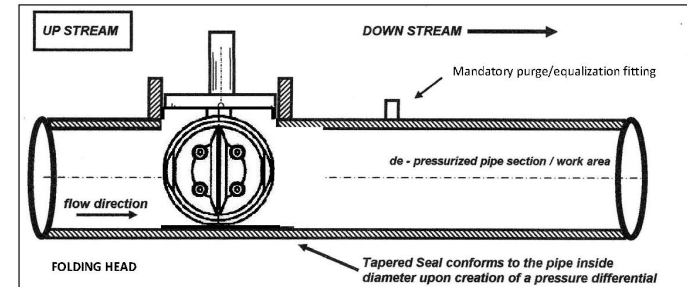
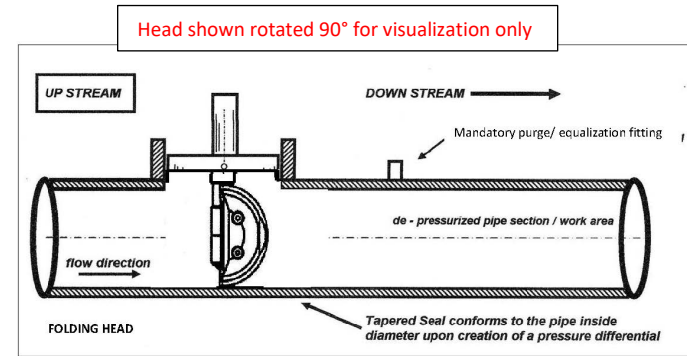
# RJ Stacey Folding Head Plugging Machine Dimensions- for Class 150# 10 - 12"



Stopples Size	A	B	C	D	E	F	Total Weight
10" and 12"	7.5"	12"	30"	60"	11"	109.5"	650 lbs.
<i>Dimensions shown are approximate, If you need exact dimensions, please contact us</i>							

**Sandwich Valve**

Size	Weight
8"	220 lbs.



Folding Head Plugging Machine

Tel: 248-330-4707 email: Ryan@rjstacey.com