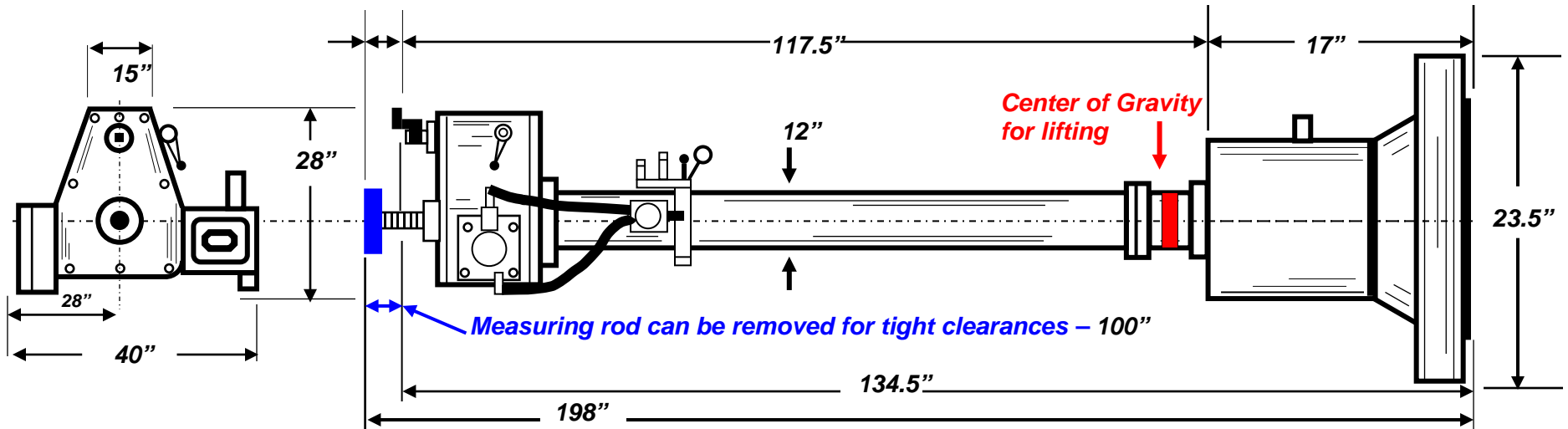


RJ Stacey - MODEL 1448 HOT TAPPING MACHINE

Hot Tap Machine Ratings: 1,480 psig @ 100 degrees f / 700 psig @ 700 degrees f



MAXIMUM BORING BAR TRAVEL 80"

Base Machine estimated weight 2615 lb.

Adaptor weights:

- | | | |
|-------------------|------------|-------------|
| 1) 12" 150# 170lb | 300# 215lb | 600# 315lb |
| 2) 14" 150# 224lb | 300# 283lb | 600# 415lb |
| 3) 16" 150# 295lb | 300# 373lb | 600# 547lb |
| 4) 18" 150# 389lb | 300# 492lb | 600# 722lbs |

- | | | |
|-------------------|-------------|--------------|
| 5) 20" 150# 513lb | 300# 650lb | 600# 953lbs |
| 6) 24" 150# 677lb | 300# 858lb | 600# 1,257lb |
| 7) 30" 150# 900lb | 300# 1150lb | 600# 1700lb |

Cutter and pilot combo weights range from 3 lb. to 105 lb.



Tel: 248-330-4707

email: ryan@rjstacey.com