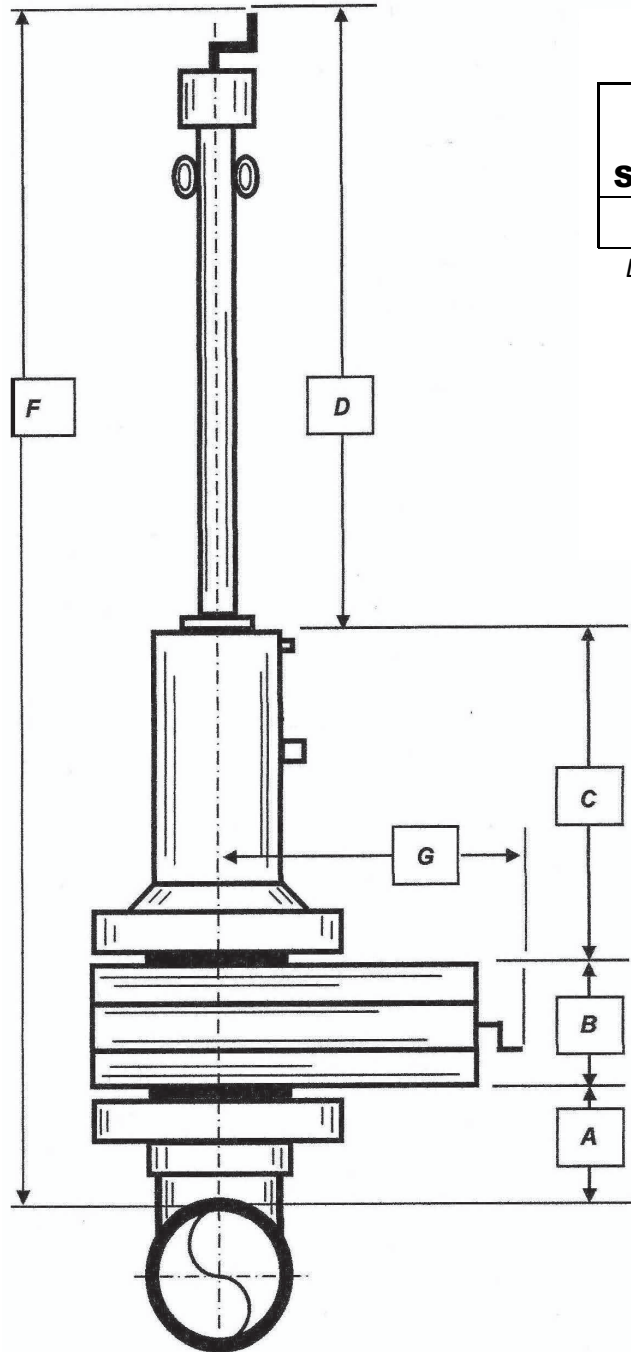
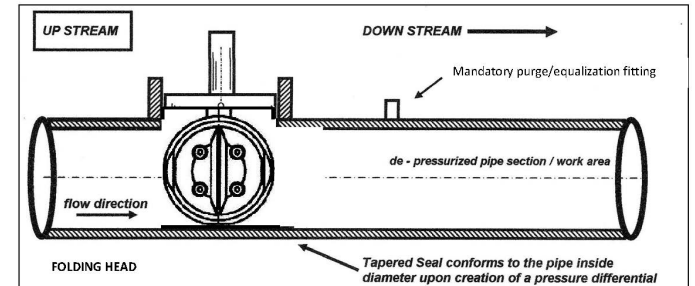
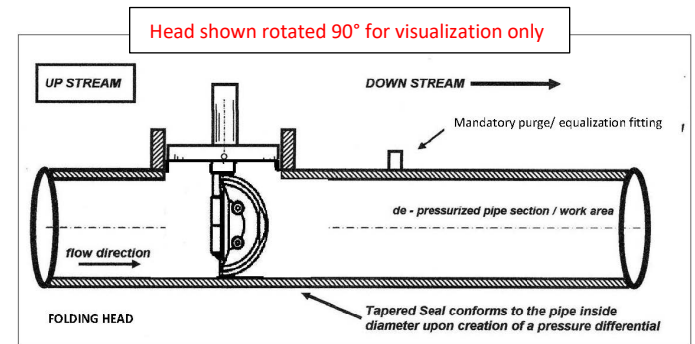


RJ Stacey Folding Head Plugging Machine Dimensions- for Class 150# 20 - 22"



Stopples Size	A	B	C	D	F	G	Total Weight
20" and 22"	8"	3.00"	43"	96"	146"	32"	1,000 lbs.

Dimensions shown are approximate, If you need exact dimensions, please contact us



Sandwich Valve

Size	Weight
12"	250 lbs.

Folding Head Plugging Machine



Tel: 248-330-4707 email: Ryan@rjstacey.com