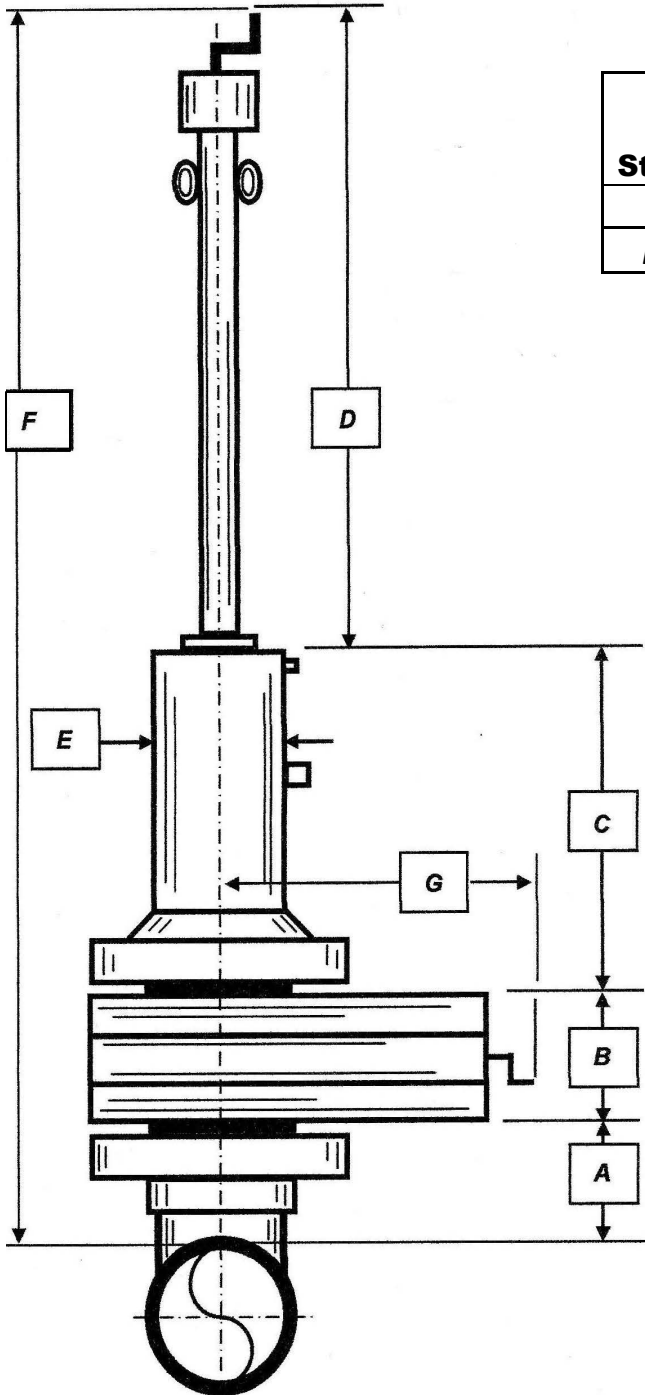
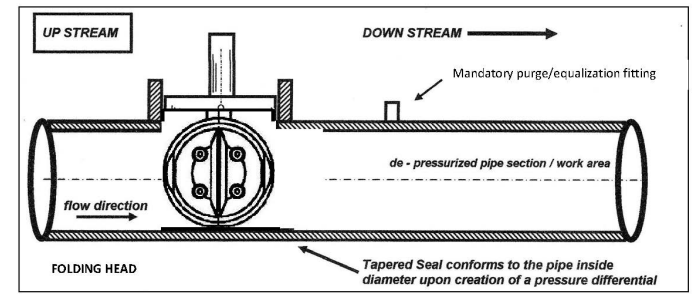
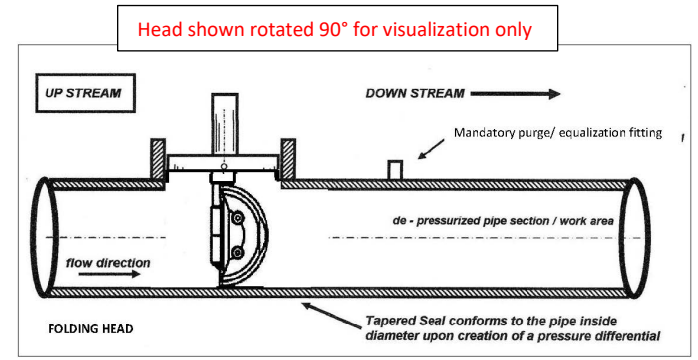


# RJ Stacey Folding Head Plugging Machine Dimensions- for Class 150# 8"



Stoppie Size	A	B	C	D	E	F	Total Weight
8"	7.5"	10.5"	21"	60"	9"	99"	420 lbs.
<i>Dimensions shown are approximate, If you need exact dimensions, please contact us</i>							

Sandwich Valve	
Size	Weight
6"	185 lbs.



Folding Head Plugging Machine

Tel: 248-330-4707 email: Ryan@rjstacey.com