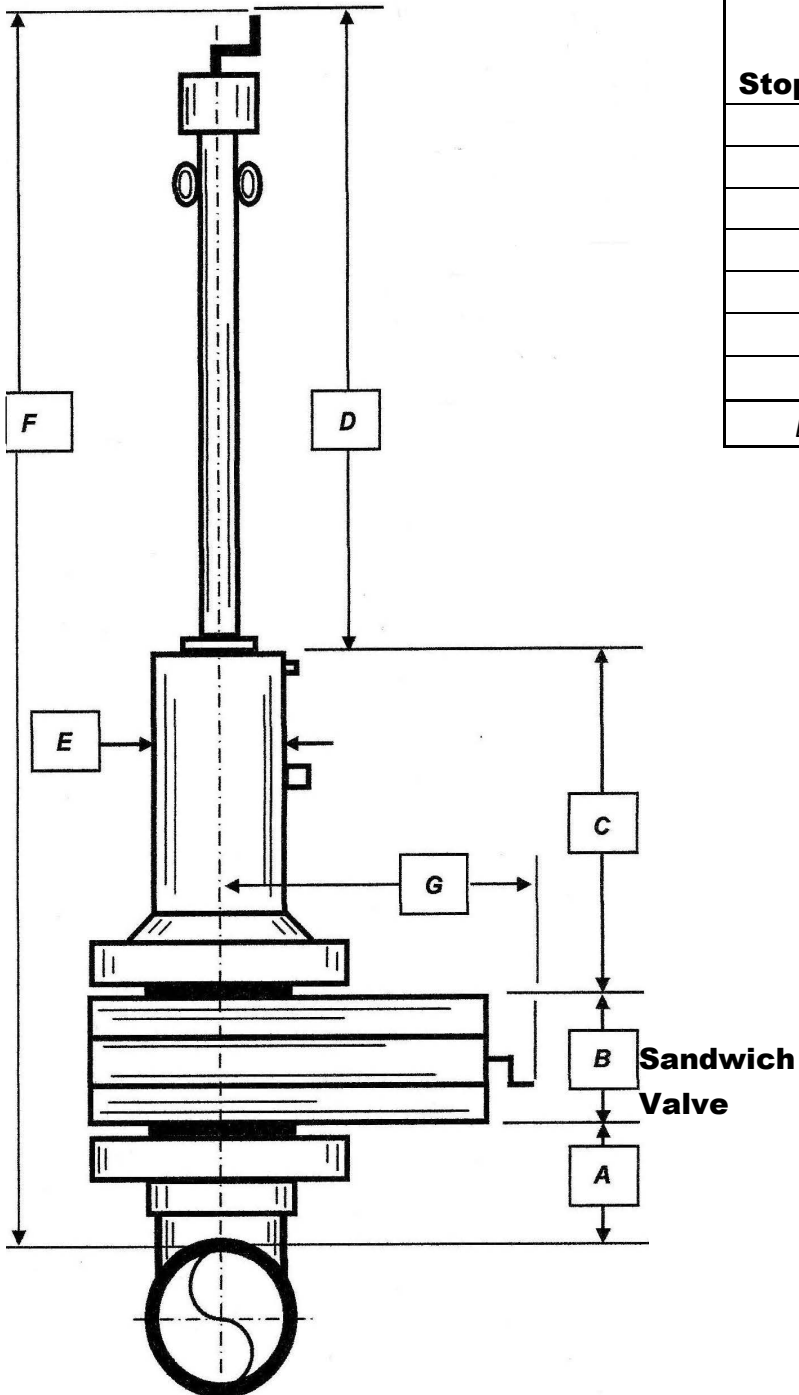


## RJ Stacey Pivoting Head Plugging Machine Dimensions- for Class 150# Sizes 2" - 24"

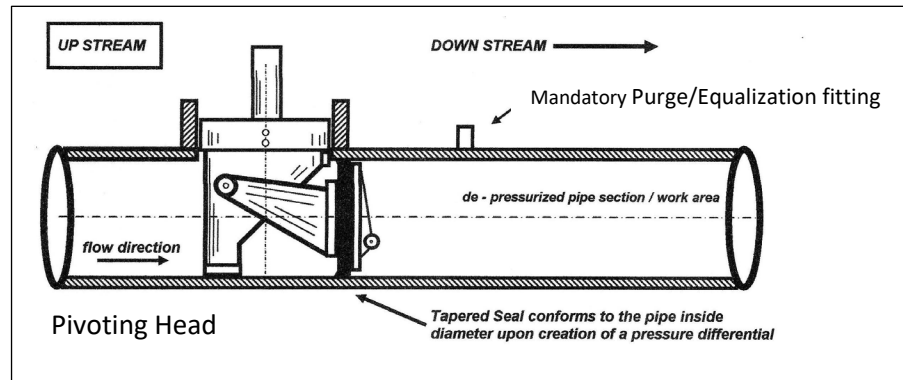


Stopples Size	A	B	C	D	E	F	Total Weight
1.5 and 2"	3.5"	3"	8"	19"	9"	33.5"	26 lbs.
3"	5"	5"	7"	43"	5"	60"	155 lbs.
4" and 6"	6"	6"	11"	43"	7"	66"	260 lbs.
8"	7.5"	10.5"	21"	60"	9"	99"	420 lbs.
10" and 12"	7.5"	12"	30"	60"	11"	109.5"	650 lbs.
14" and 16"	8"	13"	36"	60"	14"	117"	800 lbs.
20 and 24"	10"	14"	36"	95"	24"	145"	1400 lbs

*Dimensions shown are approximate, if you need exact dimensions, please contact us*

### Sandwich Valve

Size	Weight	G
4"	100 lbs.	18"
6"	150 lbs.	20"
8"	250 lbs.	23.5"
10"	500 lbs.	28"
12"	750 lbs.	30"



Pivoting Head Plugging Machine



Tel: 248-330-4707 email: Ryan@rjstacey.com